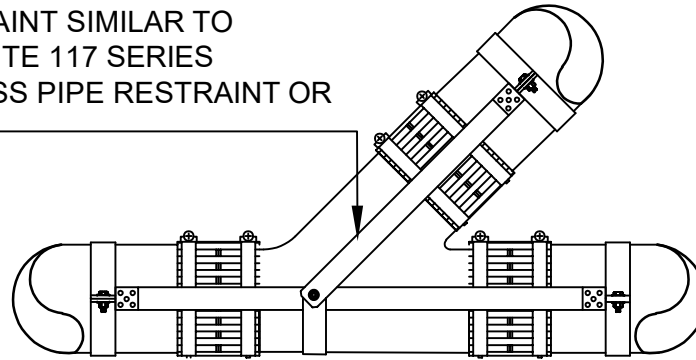
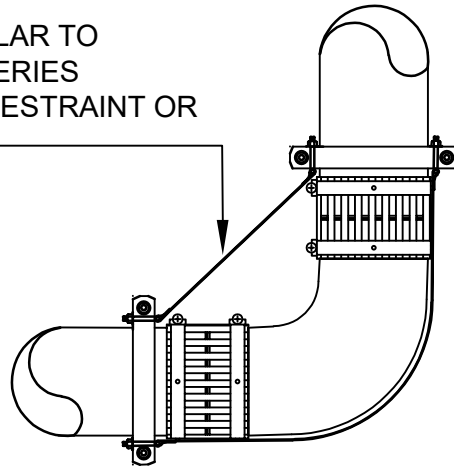


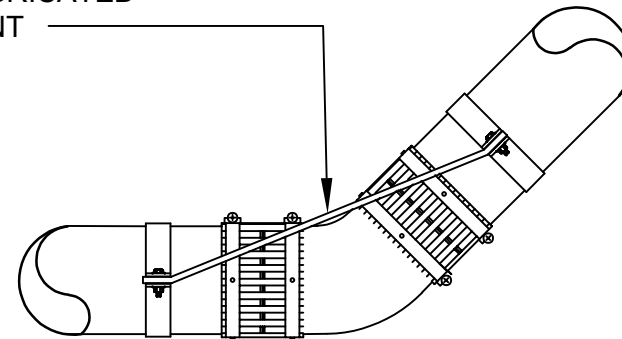
RESTRAINT SIMILAR TO
HOLDRITE 117 SERIES
HUBLESS PIPE RESTRAINT OR
EQUAL



RESTRAINT SIMILAR TO
HOLDRITE 117 SERIES
HUBLESS PIPE RESTRAINT OR
EQUAL



FIELD FABRICATED
RESTRAINT



HORIZONTAL PIPE AND FITTINGS 5" AND LARGER SHALL BE SUITABLY BRACED TO PREVENT HORIZONTAL MOVEMENT. THIS MUST BE DONE AT EVERY BRANCH OPENING OR CHANGE IN DIRECTION BY THE USE OF BRACES, BLOCKS, RODDING OR OTHER SUITABLE METHOD, TO PREVENT MOVEMENT OR JOINT SEPARATION. THIS BRACING MAY BE FIELD FABRICATED OR A MANUFACTURED SYSTEM. THE DETAILS SHOWN ON THIS PAGE ILLUSTRATES SEVERAL METHODS OF BRACING.

06/02/20

NOTICE: THE INFORMATION ON THIS PAGE PROVIDES GENERAL GUIDELINES. IT SHOULD BE USED ONLY AS A REFERENCE AND NOT AS A GUARANTEE OF PERFORMANCE. SPECIFIC INSTALLATION INSTRUCTIONS AND TECHNIQUES MAY BE REQUIRED AS A RESULT OF LOCAL PLUMBING AND BUILDING CODES, ENGINEERING SPECIFICATIONS AND INSTRUCTIONS.

CPF-8

HUBLESS CAST IRON
DWV/STORM PIPE
W/ THRUST RESTRAINT

CHARLOTTE
PIPE AND FOUNDRY COMPANY