

# SUBMITTAL FOR CHARLOTTE® NH 502 NO-HUB PRISON FITTING

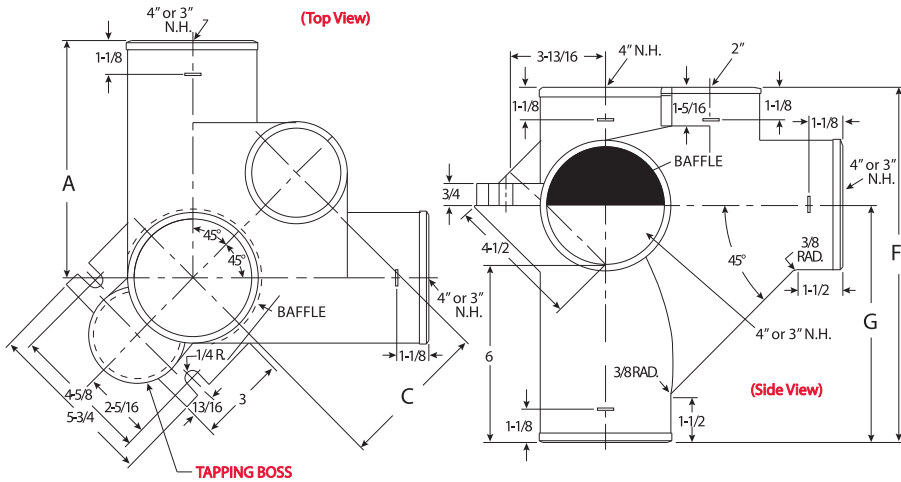
Date: \_\_\_\_\_

Job Name: \_\_\_\_\_

Location: \_\_\_\_\_

Engineer: \_\_\_\_\_

Contractor: \_\_\_\_\_



Part No.	Size	UPC# 611942-	A	C	F	G	Weight
NH 502	4 Less Tap	00639	8	5 1/4	12	8	20.3
NH 502	4 With Tap	00640	8	5 1/4	12	8	20.8
NH 502	4x3 Less Tap	11119	8	5 1/4	12	8	23.4
NH 502	4x3 With Tap	11120	8	5 1/4	12	8	23.4

**ENGINEERING SPECIFICATION:**  
Part NO. NH 502  
4" No-Hub Prison Fitting with 2" Top Vent; Designed for use above the floor; Baffle helps prevent passage of contraband between cells.

Manufactured in accordance with CISPI 301

### NH 502 Typical Installation

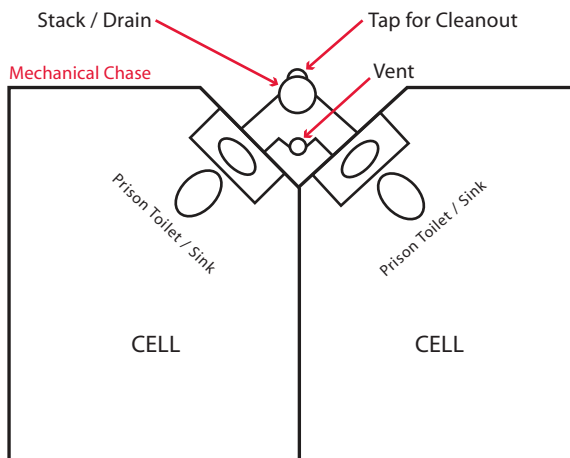


Illustration not to scale



For more information, call us at 1-800-438-6091 or log on to [www.charlottepipe.com](http://www.charlottepipe.com).

Charlotte is a registered trademark of Charlotte Pipe and Foundry Company.