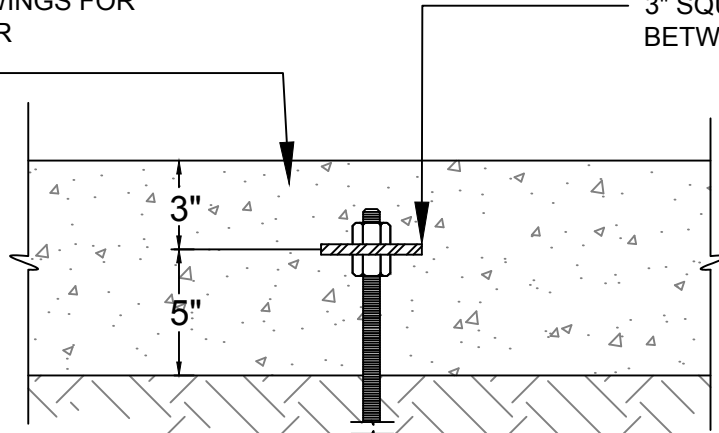


CONCRETE SLAB: REFER TO
STRUCTURAL DRAWINGS FOR
DETAILS AND REBAR
LOCATIONS

3" SQUARE STEEL PLATE
BETWEEN STEEL NUTS

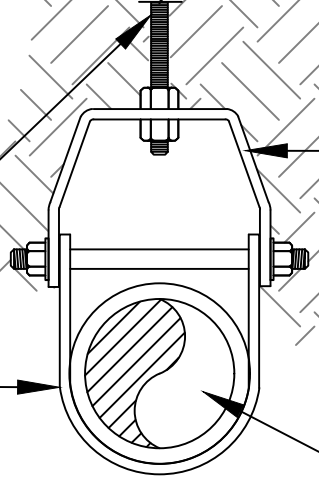


GALVANIZED OR 300 SERIES
STAINLESS STEEL
ALL-THREAD HANGER ROD
(LENGTH AS REQUIRED BY
INVERT)

GALVANIZED, OR
SERIES 300
STAINLESS STEEL CLEVIS
HANGERS (TYPICAL)

HANGER SPACING
PER ENGINEER'S
SPECIFICATIONS

SANITARY/STORM
DRAIN PIPE



NOTICE: THE INFORMATION ON THIS PAGE PROVIDES
GENERAL GUIDELINES. IT SHOULD BE USED ONLY AS A
REFERENCE AND NOT AS A GAURANTEE OF PERFORMANCE.
SPECIFIC INSTALLATION INSTRUCTIONS AND TECHNIQUES
MAY BE REQUIRED AS A RESULT OF LOCAL PLUMBING AND
BUILDING CODES, ENGINEERING SPECIFICATIONS AND
INSTRUCTIONS.

UNDERGROUND PIPE SUSPENDED FROM SLAB DETAIL, A1

